

Americans with Disabilities Act (ADA) Guidelines for Fire Extinguisher Cabinets and Fire Hose/Valve Cabinets



The following guidelines should be used when fire extinguisher cabinets, fire hose/valve cabinets, and other fire protection cabinets are located in public accommodations and commercial facilities subject to Title III of the Americans with Disabilities Act (ADA):

WALL PROJECTIONS

ADA Accessibility Guidelines (ADAAG) specify that objects projecting from walls with their leading edges between 27" and 80" above the finished floor shall protrude no more than 4" into walks, corridors, passageways, or aisles. Objects mounted with their leading edges at or below 27" may protrude any amount.

Most **semi-recessed** fire protection cabinets have 2½" return trims which comply with ADAAG. However, certain limited wall depths may require the specifier to consider return trims which project 4". If this occurs in a location subject to ADAAG and the cabinet must be mounted with its leading edge 27" above the finished floor, the 4" projecting trim must be specified with Larsen's recessed handle. Semi-recessed cabinets with 4½" return trims do not comply with ADAAG, unless they can be mounted with their leading edges at or below 27" above the finished floor.

Larsen's **surface-mounted** cabinets project more than 4" from the wall. To comply with ADAAG, these units must be mounted with their leading edges at or below 27" from the finished floor. If this is not possible, these units may have to be changed to recessed or semi-recessed cabinets which do comply with ADAAG or relocated in areas not subject to ADAAG.

Larsen's recessed and trimless **"bubble" cabinets (Cameo and Vista Series)** project no more than 4" from the finished wall and comply with ADAAG. Larsen's semi-recessed and surface-mounted Cameo and Vista cabinets project more than 4" from the wall, and compliance with ADAAG depends on location and installation issues discussed in the above paragraph.

MOUNTING HEIGHTS

ADA Guidelines specify reach ranges for building occupants who require access to equipment such as fire extinguishers and other fire safety devices.

For an unobstructed approach, the maximum forward reach to this equipment (for example, the fire extinguisher handle) is 48" above the floor. The maximum side reach for such an approach is 54". The actual mounting heights for cabinets housing this equipment can be determined by reviewing the exact dimensions of the specified cabinet and the positioning of the fire equipment within that cabinet. Please note that these ADAAG reach range requirements fall within NFPA (National Fire Protection Association) guidelines. The NFPA guidelines state that the distance from the floor to the top of the fire extinguisher be no more than 5 feet.

SIGNAGE AND OPERATING MECHANISMS

At the present time, raised and brailled characters or other special ADA signage are not required for fire protection cabinets. In addition, the controls, handles, and other operating mechanisms for fire protection cabinet doors presently are not covered by ADA Accessibility Guidelines for hardware.

Please note that many ADA Guidelines for fire protection cabinets are not clearly defined and may be subject to change through the court system or other mediation methods. It is important to contact Larsen's for the most current information.

Fire-Rated Cabinets Flame-Shield Option

GENERAL DESCRIPTION:

The **Flame-Shield** option is available for a variety of Larsen's fire extinguisher, fire department valve, fire hose, and fire blanket cabinets. It is designed specifically to maintain the integrity of one and two hour fire walls with all Larsen's recessed and semi-recessed cabinets. Warnock-Hersey has certified and listed Larsen's **Flame-Shield** option for one and two hour combustible and non-combustible wall systems to meet the requirements of UBC Standard 43-6 (ASTME-814). Larsen's **Flame-Shield** option assures the specifier that life safety codes will be maintained and by eliminating the need to continue the fire wall within the rough opening, saves the installer considerable time and expense. Larsen's **Flame-Shield** option is appropriate for either new construction or renovation projects.

BOX SPECIFICATION:

All boxes for Larsen's fire extinguisher, fire department valve, fire hose, and fire blanket cabinets having the **Flame-Shield** option are constructed of cold-rolled steel with baked acrylic enamel finish. The space between the double walls is lined entirely with $\frac{5}{8}$ " thick fire barrier material.

DOOR AND TRIM SPECIFICATION:

All of Larsen's door styles are available with the **FLAME-SHIELD** option.

All of Larsen's door and trim materials are available with the **FLAME-SHIELD** option:

1. Steel:

One piece, cold-rolled with a standard finish of white baked acrylic enamel.

2. Aluminum:

Extruded or fabricated construction with a standard clear satin anodized finish. A wide selection of optional color anodized finishes is available.

3. Stainless Steel:

One piece, 304 stainless steel with a standard #4 brushed finish or optional #8 polished finish.

4. Solid Brass or Solid Bronze:

One piece with a standard #4 satin or optional #8 polished finish. All doors and trims have a clear protective coating.

MORE OPTIONS:

Die-Cut Lettering – Larsen's thermal die cut lettering is the state of the art for precise cabinet identification and has replaced silk screen lettering as the industry standard. The appearance of these pre-spaced, computer manufactured, pressure sensitive vinyl letters is superior to that of silk screened letters. Die cut letters contribute to a healthier environment because, unlike the silk screening process, the factory application of die cut letters does not generate any hazardous waste. Die cut letters offer the additional performance advantage of easy replacement, should they ever become damaged after installation. Larsen's die cut letters are available in the standard colors of red, black, or white and the standard designs of vertical, horizontal, or type A - for both direct and indirect application. Custom lettering, special colors, and pictorial graphics are also available, if specified.

Vigilante Alarm – Larsen's exclusive Vigilante Alarm provides additional protection for a cabinet's life safety contents. The Vigilante can reduce theft losses, help to prolong extinguisher life, and safe guard fire department valves, fire hose, and other equipment. It is constructed of high impact plastic, is plunger activated and includes a heavy-duty 9 volt battery as standard equipment. The on/off jack provides for convenient servicing of the cabinet's contents by authorized personnel.

Fire Handle – Larsen's die cast "FIRE" handle is an attractive identification alternative to a decal or other lettering. The raised letters are flush with the face of the handle, and the size makes it interchangeable with Larsen's standard pull handle.

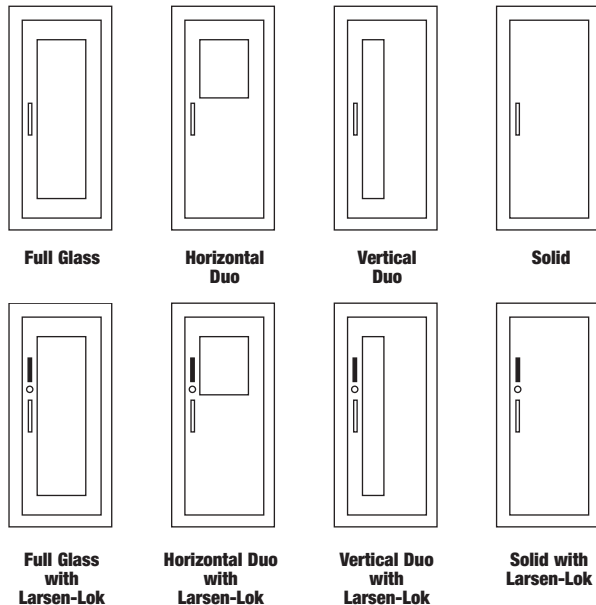
Recessed Handle – Larsen's zinc alloy, recessed handle is available with Solid, H-Duo, V-Duo, or Gemini Doors. This recessed handle must be specified with 4" projecting cabinet trims in order for the cabinet to comply with ADA wall projection guidelines.

Architectural Series Fire Extinguisher Cabinets Specifications

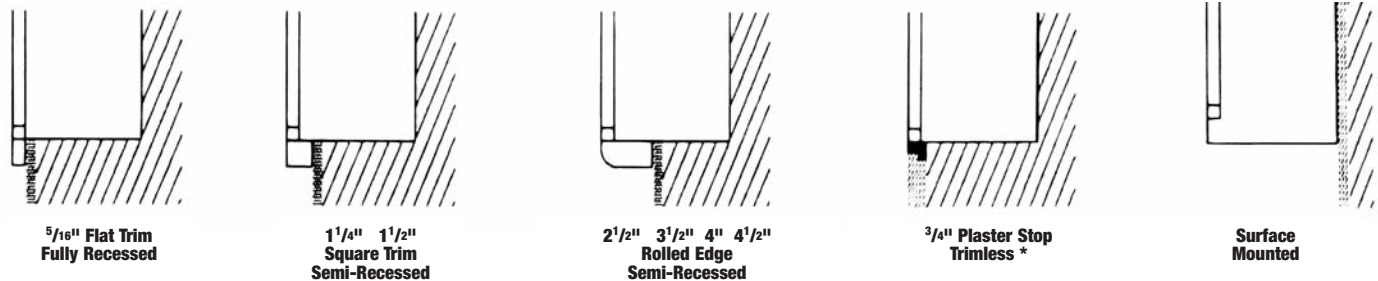
All recessed and semi-recessed cabinets and surface-mounted steel cabinets have a heavy gauge, white baked enamel box. Surface-mounted cabinets with aluminum door and trim have a box constructed entirely of clear or color anodized aluminum. Surface-mounted cabinets with stainless steel door and trim have a box constructed entirely of 304 stainless steel with a #4 finish.

Steel and stainless steel cabinets have a full 1/2" thick hollow metal heavy gauge door. Trims and doors feature one piece construction with satin finish pull handle, continuous matching hinge, and self-adjusting roller catch. Baked white enamel finish is standard for steel units. Stainless steel cabinets have a #4 finish, 304 stainless steel.

Aluminum cabinet doors and trims are extruded or fabricated aluminum with clear satin anodized finish. Aluminum door is 1/2" thick with satin finish matching pull handle and hinge. Color anodized finishes are available as options.



*** Note:** Solid Door with Larsen-Lok can be specified as Institutional Door (access only with key) by deleting the pull handle and decal.



* Trimless cabinets must be installed before the drywall because their plaster stops must be behind the drywall.

Trimless cabinets are not recommended for block wall installation.

Architectural Series Fire Extinguisher Cabinets

Larsen's Architectural Series is a traditional, value-added line of recessed, semi-recessed, and surface-mounted fire extinguisher cabinets. These units are designed for all types of buildings and are equipped with the conventional door styles. The standard door and trim material is steel, and optional materials include both aluminum and stainless steel. All doors are 1/2" thick and open 180 degrees. All have a satin-finish pull handle with a self-adjusting roller catch; and a continuous piano hinge constructed of material which matches the door and trim.



| Model Number | Trim Style and Projection | Inside Box Dimensions H x W x D | Outside Trim Dimensions H x W ** | Rough Opening H x W x D | Recommended Extinguisher Capacity | |
|--------------|---------------------------|---------------------------------|----------------------------------|-------------------------|-----------------------------------|--|
| | 2409-R1 | Rec. - 5/16 | 24 x 9 1/2 x 5* | 27 1/2 x 13 | 25 x 10 1/2 x 5 1/4 | MP2 1/2, MP5, MP5-A, DC2 1/2, HT2 1/2, HT5 |
| FS | 2409-R1 | Rec. - 5/16 | 24 x 9 1/2 x 5* | 27 1/2 x 13 | 26 1/8 x 11 5/8 x 6 1/8 | |
| | 2409-5R | Semi - Rec. 1 1/2 | 24 x 9 1/2 x 5* | 27 1/2 x 13 | 25 x 10 1/2 x 4 | |
| FS | 2409-5R | Semi - Rec. 1 1/2 | 24 x 9 1/2 x 5* | 27 1/2 x 13 | 26 1/8 x 11 5/8 x 4 7/8 | |
| | 2409-R3 | Semi - Rec. 2 1/2 | 24 x 9 1/2 x 5* | 27 1/2 x 13 | 25 x 10 1/2 x 3 | |
| FS | 2409-R3 | Semi - Rec. 2 1/2 | 24 x 9 1/2 x 5* | 27 1/2 x 13 | 26 1/8 x 11 5/8 x 3 3/4 | |
| | 2409-R2 | Rec. - 5/16 | 24 x 9 1/2 x 6 | 27 1/2 x 13 | 25 x 10 1/2 x 6 1/4 | MP2 1/2, MP5, MP5-A, DC2 1/2, DC5, MP6, MP10, DC6, DC10, CD5, HT2 1/2, HT5 |
| FS | 2409-R2 | Rec. - 5/16 | 24 x 9 1/2 x 6 | 27 1/2 x 13 | 26 1/8 x 11 5/8 x 7 1/8 | |
| | 2409-R4 | Semi - Rec. 3 1/2 | 24 x 9 1/2 x 6 | 27 1/2 x 13 | 25 x 10 1/2 x 3 | |
| FS | 2409-R4 | Semi - Rec. 3 1/2 | 24 x 9 1/2 x 6 | 27 1/2 x 13 | 26 1/8 x 11 5/8 x 4 | |
| | 2409-R7 | Semi - Rec. 1 1/2 | 24 x 9 1/2 x 6 | 27 1/2 x 13 | 25 x 10 1/2 x 5 | |
| FS | 2409-R7 | Semi - Rec. 1 1/2 | 24 x 9 1/2 x 6 | 27 1/2 x 13 | 26 1/8 x 11 5/8 x 5 7/8 | |
| | 2409-6R | Semi - Rec. 2 1/2 | 24 x 9 1/2 x 6 | 27 1/2 x 13 | 25 x 10 1/2 x 4 | |
| FS | 2409-6R | Semi - Rec. 2 1/2 | 24 x 9 1/2 x 6 | 27 1/2 x 13 | 26 1/8 x 11 5/8 x 4 7/8 | |
| | 2409-RM | Semi - Rec. 4 1/2 | 24 x 9 1/2 x 6 | 27 1/2 x 13 | 25 x 10 1/2 x 2 | |
| FS | 2409-RM | Semi - Rec. 4 1/2 | 24 x 9 1/2 x 6 | 27 1/2 x 13 | 26 1/8 x 11 5/8 x 2 7/8 | |
| | 2409-RA | Semi - Rec. 4 | 24 x 9 1/2 x 6 | 27 1/2 x 13 | 25 x 10 1/2 x 2 1/2 | |
| FS | 2409-RA | Semi - Rec. 4 | 24 x 9 1/2 x 6 | 27 1/2 x 13 | 26 1/8 x 11 5/8 x 3 3/8 | |
| | 2409-SM | Surface Mtd. | 27 1/2 x 13 x 6 | 27 1/2 x 13 | | |

Architectural Series Fire Extinguisher Cabinets



| Model Number | Trim Style and Projection | Inside Box Dimensions H x W x D | Outside Trim Dimensions H x W ** | Rough Opening H x W x D | Recommended Extinguisher Capacity |
|--------------|---------------------------|---------------------------------|----------------------------------|-------------------------|-----------------------------------|
| 2712-R | Rec. - 5/16 | 27 x 12 x 8 | 30 1/2 x 15 1/2 | 28 x 13 x 8 1/4 | PW2 1/2, MP20, |
| 2712-RK | Semi - Rec. 1 1/4 | 27 x 12 x 8 | 30 1/2 x 15 1/2 | 28 x 13 x 7 1/4 | DC20, CD10, |
| 2712-RL | Semi - Rec. 2 1/2 | 27 x 12 x 8 | 30 1/2 x 15 1/2 | 28 x 13 x 6 | WC-6L |
| 2712-RM | Semi - Rec. 4 1/2 | 27 x 12 x 8 | 30 1/2 x 15 1/2 | 28 x 13 x 4 | HT11, HT15 1/2 |
| 2712-RA | Semi - Rec. 4 | 27 x 12 x 8 | 30 1/2 x 15 1/2 | 28 x 13 x 4 1/2 | |
| 2712-SM | Surface Mtd. | 27 x 12 x 8 | 30 1/2 x 15 1/2 | | |

* Inside box depth is 4 3/4" when supplied with aluminum door and trim. The AL2409-5R has a 1 1/4" square trim.

** Deduct 3/4" from H x W dimensions for cabinets with aluminum door and trim. This does not apply to "FS" fire-rated option.

Note: All recessed, trimless, and semi-recessed cabinets with 2 1/2" projecting trims or less comply with ADA wall projection guidelines. If semi-recessed cabinets with 4" projecting trims cannot be mounted with their leading edges at or below 27" above the finished floor, they must be specified with Larsen's recessed handle to comply with ADA wall projection guidelines. Semi-recessed cabinets with 4 1/2" return trims and all surface-mounted cabinets do not comply with ADA wall projection guidelines, unless they can be mounted with their leading edges at or below 27" above the finished floor.

Medallion Series Fire Extinguisher Cabinets

Larsen's Medallion Series is an extensive line of recessed and semi-recessed cabinets with distinctive solid brass doors and trims. A #4 satin finish is standard, and other polished finishes are available, if specified. This custom series is intended for use in museums, performing arts centers, historical buildings, government and financial institutions, and other special buildings where the elegance of solid brass will complement the overall design. The Medallion Series would be appropriate for either new construction or renovation projects.

As an option, solid bronze doors and trims also are available. Muntz Metal also is available. Please contact factory for additional information.



| Model Number | Trim Style and Projection | Inside Box Dimensions H x W x D | Outside Trim Dimensions H x W | Rough Opening H x W x D | Recommended Extinguisher Capacity |
|--------------|---------------------------|------------------------------------|----------------------------------|----------------------------|--|
| B2409-5R | Semi - Rec. - 1 1/2 | 24 x 9 1/2 x 5 | 27 1/2 x 13 | 25 x 10 1/2 x 4 | MP2 1/2, MP5, MP5-A, DC2 1/2, DC5, HT2 1/2, HT5 |
| B2409-6R | Semi - Rec. 2 1/2 | 24 x 9 1/2 x 6 | 27 1/2 x 13 | 25 x 10 1/2 x 4 | MP2 1/2, MP5, MP5-A, DC2 1/2, DC5, MP6, MP10, DC6, DC10, CD5, HT2 1/2, HT5 |

Note: Solid brass or solid bronze doors and trims are available for the Cameo Series, the Occult Series, as well as other Larsen's Fire Extinguisher, Valve and Hose Cabinets. Please contact factory for additional information.

Note: All Medallion Series cabinets with 3 1/2" projecting trims or less comply with ADA wall projection guidelines.

Gemini Series Fire Extinguisher Cabinets

Larsen's Gemini Series is an aesthetically designed cabinet line which is identified by an extensive selection of frameless acrylic doors. Gemini cabinets are identical to the Architectural Series, except these units have a frameless door of smooth or textured acrylic in lieu of the conventional hollow-mental door frame. The Gemini Series is specified by using the prefix "G" as part of the model number.



| Model Number | Trim Style and Projection | Inside Box Dimensions H x W x D | Outside Trim Dimensions H x W ** | Rough Opening H x W x D | Recommended Extinguisher Capacity |
|--------------|----------------------------|---------------------------------|----------------------------------|--|--|
| | | | | | MP2 ^{1/2} , MP5, MP5-A, DC2 ^{1/2} , DC5, HT2 ^{1/2} , HT5 |
| FS G2409-R1 | Rec. - 5/16 | 24 x 9 ^{1/2} x 5* | 27 ^{1/2} x 13 | 25 x 10 ^{1/2} x 5 ^{1/4} | |
| | | | | | |
| FS G2409-5R | Semi-Rec. 1 ^{1/2} | 24 x 9 ^{1/2} x 5* | 27 ^{1/2} x 13 | 25 x 10 ^{1/2} x 4 | |
| | | | | | |
| FS G2409-R3 | Semi-Rec. 2 ^{1/2} | 24 x 9 ^{1/2} x 5* | 27 ^{1/2} x 13 | 25 x 10 ^{1/2} x 3 | |
| | | | | | MP2 ^{1/2} , MP5, MP5-A, DC2 ^{1/2} , DC5, MP6, MP10, DC6, DC10, CD5, HT2 ^{1/2} , HT5 |
| FS G2409-R2 | Rec. 5/16 | 24 x 9 ^{1/2} x 6 | 27 ^{1/2} x 13 | 25 x 10 ^{1/2} x 6 ^{1/4} | |
| | | | | | |
| FS G2409-R4 | Semi-Rec. 3 ^{1/2} | 24 x 9 ^{1/2} x 6 | 27 ^{1/2} x 13 | 25 x 10 ^{1/2} x 3 | |
| | | | | | |
| FS G2409-R7 | Semi-Rec. 1 ^{1/2} | 24 x 9 ^{1/2} x 6 | 27 ^{1/2} x 13 | 25 x 10 ^{1/2} x 5 | |
| | | | | | |
| FS G2409-6R | Semi-Rec. 2 ^{1/2} | 24 x 9 ^{1/2} x 6 | 27 ^{1/2} x 13 | 25 x 10 ^{1/2} x 4 | |
| | | | | | |
| FS G2409-6R | Semi-Rec. 2 ^{1/2} | 24 x 9 ^{1/2} x 6 | 27 ^{1/2} x 13 | 26 ^{1/8} x 11 ^{5/8} x 4 ^{7/8} | |
| | | | | | |
| FS G2409-RM | Semi-Rec. 4 ^{1/2} | 24 x 9 ^{1/2} x 6 | 27 ^{1/2} x 13 | 25 x 10 ^{1/2} x 2 | |
| | | | | | |
| FS G2409-RA | Semi-Rec. 4 | 24 x 9 ^{1/2} x 6 | 27 ^{1/2} x 13 | 26 ^{1/8} x 11 ^{5/8} x 2 ^{7/8} | |
| | | | | | |
| FS G2409-RA | Semi-Rec. 4 | 24 x 9 ^{1/2} x 6 | 27 ^{1/2} x 13 | 25 x 10 ^{1/2} x 2 ^{1/2} | |
| | | | | | |
| FS G2409-SM | Surface Mtd. | 27 ^{1/2} x 13 x 6 | 27 ^{1/2} x 13 | 26 ^{1/8} x 11 ^{5/8} x 3 ^{3/8} | |

Gemini Series Fire Extinguisher Cabinets

| Model Number | Trim Style and Projection | Inside Box Dimensions H x W x D | Outside Trim Dimensions H x W ** | Rough Opening H x W x D | Recommended Extinguisher Capacity |
|--------------|---------------------------|---------------------------------|----------------------------------|-------------------------|--|
| G2712-R | Rec. - 5/16 | 27 x 12 x 8 | 30 1/2 x 15 1/2 | 28 x 13 x 8 1/4 | PW2 1/2, MP20, DC20, CD10, WC-6L, HT11, HT15 1/2 |
| G2712-RK | Semi - Rec. 1 1/4 | 27 x 12 x 8 | 30 1/2 x 15 1/2 | 28 x 13 x 7 1/4 | |
| G2712-RL | Semi - Rec. 2 1/2 | 27 x 12 x 8 | 30 1/2 x 15 1/2 | 28 x 13 x 6 | |
| G2712-RM | Semi - Rec. 4 1/2 | 27 x 12 x 8 | 30 1/2 x 15 1/2 | 28 x 13 x 4 | |
| G2712-RA | Semi - Rec. 4 | 27 x 12 x 8 | 30 1/2 x 15 1/2 | 28 x 13 x 4 1/2 | |
| G2712-SM | Surface Mtd. | 27 x 12 x 8 | 30 1/2 x 15 1/2 | | |

* Inside box depth is 4 3/4" when supplied with aluminum door and trim. The AL G2409-5R has a 1 1/4" square trim.

** Deduct 3/4" from H x W dimensions for cabinets with aluminum trim. This does not apply to "FS" fire-rated option.

Note: All recessed, trimless, and semi-recessed cabinets with 2 1/2" projecting trims or less comply with ADA wall projection guidelines. If semi-recessed cabinets with 4" projecting trims cannot be mounted with their leading edges at or below 27" above the finished floor, they must be specified with Larsen's recessed handle to comply with ADA wall projection guidelines. Semi-recessed cabinets with 4 1/2" return trims and all surface-mounted cabinets do not comply with ADA wall projection guidelines, unless they can be mounted with their leading edges at or below 27" above the finished floor.



Cameo Series Fire Extinguisher Cabinets

Larsen's Cameo Series provides an attractive as well as a safe and practical method of housing a fire extinguisher. By projecting the extinguisher into its protruding bubble, the Cameo allows for not only installation into a shallow wall but also full, 180-degree visibility of the cabinet's contents. The manufacturer's standard bracket must be used to support the fire extinguisher inside the Cameo cabinet. The standard door and trim material is steel, and optional materials include both aluminum and stainless steel. All door frames are 1/2" thick, hollow-metal design. All units have a satin-finish pull handle with a self-adjusting roller catch; and a continuous piano hinge constructed of material which matches the door and trim.



| Model Number | Trim Style and Projection | Inside Box Dimensions H x W x D | Outside Trim Dimensions H x W ** | Rough Opening H x W x D | Recommended Extinguisher Capacity | |
|--------------|---------------------------|---------------------------------|----------------------------------|-------------------------|-----------------------------------|---|
| | C2409-R | Rec. - 5/16 | 24 x 9 1/2 x 3 1/2 | 27 1/2 x 13 | 25 x 10 1/2 x 4 | MP2 1/2, MP5, MP5-A, DC2 1/2, DC5, MP6 MP10, DC6, DC10 HT2 1/2, HT5 |
| FS | C2409-R | Rec. - 5/16 | 24 x 9 1/2 x 3 1/2 | 27 1/2 x 13 | 26 1/8 x 11 5/8 x 4 5/8 | |
| | C2409-5R | Semi - Rec. 1 1/2 | 24 x 9 1/2 x 3 1/2 | 27 1/2 x 13 | 25 x 10 1/2 x 2 3/4 | |
| FS | C2409-5R | Semi - Rec. 1 1/2 | 24 x 9 1/2 x 3 1/2 | 27 1/2 x 13 | 26 1/8 x 11 5/8 x 3 7/8 | |
| | C2409-6R | Semi - Rec. 2 1/2 | 24 x 9 1/2 x 3 1/2 | 27 1/2 x 13 | 25 x 10 1/2 x 1 1/2 | |
| FS | C2409-6R | Semi - Rec. 2 1/2 | 24 x 9 1/2 x 3 1/2 | 27 1/2 x 13 | 26 1/8 x 11 5/8 x 2 5/8 | |
| | C2409-SM | Surface Mtd. | 27 1/2 x 13 x 3 1/2 | 27 1/2 x 13 | | |
| | C3216-R | Rec. 5/16 | 32 x 16 x 3 1/2 | 35 1/2 x 19 1/2 | 33 x 17 x 4 | |

** Deduct 3/4" from H x W dimensions for cabinets with aluminum door and trim. This does not apply to the "FS" fire-rated option.

Note: "FS" models denote Larsen's "Flame-Shield" fire-rated cabinets. When specifying Larsen's "Flame-Shield" fire-rated cabinet option for the Cameo Series, refer to the dimension chart above and select from the models with an "FS" prefix.

Note: All recessed (R-5/16") and trimless (RT) Cameo cabinets listed above comply with all ADA wall projection guidelines. Semi-recessed and surface-mounted Cameo cabinets compliance with ADA wall projection guidelines depends on several location and installation issues.

Occult Series Fire Extinguisher Cabinets

The Occult Series features an attractive door and concealed hinge which combine to give the cabinet a clean, trimless appearance. When the door is closed, it completely covers the cabinet's flange, which is on the outside of the wall surface. The Occult design also is exclusively available with Larsen's hose and valve cabinets.



| Model Number | Inside Box Dimensions H x W x D | Outside Flange Dimensions H x W | Outside Door Dimensions H x W | Rough Opening H x W x D | Recommended Extinguisher Capacity |
|--------------|--|-------------------------------------|---|---|---|
| 0-2409 | 24 x 9 ¹ / ₂ x 6 | 25 ¹ / ₂ x 11 | 25 ³ / ₄ x 11 ¹ / ₄ | 24 ¹ / ₂ x 10 x 6 ¹ / ₄ | MP2 ¹ / ₂ , MP5, MP5-A, MP6, MP10, DC2 ¹ / ₂ , DC5, DC6, DC10, CD5, HT2 ¹ / ₂ , HT5 |

Note: All Occult Series cabinets comply with ADA wall projection guidelines.

Vista Series Fire Extinguisher Cabinets

The Vista Series has the same aesthetic and practical features as the Cameo. The fire extinguisher is projected into a protruding bubble, allowing for full 180-degree visibility and for installation into a shallow wall depth (4"). The fire extinguisher is supported by the manufacturer's standard bracket. The unique Vista bubble door eliminates the need for a door frame.



| Model Number | Trim Style and Projection | Inside Box Dimensions H x W x D | Outside Door Dimensions H x W * | Rough Opening H x W x D | Recommended Extinguisher Capacity |
|--------------|---------------------------|------------------------------------|------------------------------------|----------------------------|---|
| V-2709 | Rec. - 5/16 | 27 x 9 1/2 x 41 | 30 1/2 x 13 | 28 x 10 1/2 x 4 | MP2 1/2, MP5, MP5-A, MP6, MP10, DC2 1/2, DC5, DC6, DC10, HT2 1/2, HT5 |

*Deduct 3/4" from H x W dimension for cabinets with aluminum trim.

Note: All recessed Vista cabinets comply with all ADA wall projection guidelines. Surface mounted Vista cabinets compliance with ADA wall projection guidelines depends on several location and installation issues.

MP, DC, WC, PW, WM, CD and HT Series Fire Extinguishers

Multi-Purpose Dry Chemical (MP)

These units contain specially fluidized and siliconized mono ammonium phosphate powder which smothers and breaks the chain reaction on **Class B** fires, fuses and insulates **Class A** fires and as a non-conductor of electricity, is effective on **Class C** fires.

Regular Dry Chemical (DC)

These units contain specially siliconized sodium bicarbonate powder with free-flowing and non-caking additives, suitable for fires in flammable liquids, and energized electrical equipment. **NOTE:** As of July 1, 1998, all new extinguishers installed in restaurant kitchens must be **K Class** rated; the DC Series no longer is recommended for use in kitchen areas.

All multi-purpose, regular dry chemical units feature:

- Heavy-duty DOT steel cylinders
- Rugged metal valves and siphon tubes
- Replaceable molded valve stem seals
- Corrosion and impact resistant polyester/epoxy paint finish
- Pull pin-upright squeeze grip operation
- Approved to -65P F.
- Non-toxic
- Pressure gauges
- Contact factory if non-ferrous cylinders are required

Wet Chemical (WC)

Wet Chemical units are designed specifically for kitchen grease fire hazards and meet the new **K Class** listing now required for all extinguishers installed in restaurant kitchens. They contain a special potassium acetate based, low PH agent, which leaves no chemical residue to clean up. The spray applicator wand keeps the operator at a safe distance from the fire. Larger 2^{1/2} gallon unit with identical U.L. rating is available for a limited time.

Class A Fires

Paper, wood, cloth, etc. Where quenching by water or insulating by general purpose dry chemical is effective.

Class B Fires

Burning liquids (gasoline, oils, cooking fats, etc.) where smothering action is required.

Pressurized Water (PW)

This unit is ideally suited for all industrial and commercial applications, where easy to use, positive on-off operation is important. Water is used as the extinguishing agent, making it highly effective on deep-seated **Class A** fires. (Shipped empty.)

Water Mist (WM)

This unit is designed for use wherever there is a **Class A** hazard near electrical equipment and the environment is of paramount concern. The extinguishing agent is distilled water, and the wand provides greatest operator safety. There is no risk of electrical conductivity or thermal or static shock. Ideal for use in health care, data processing, telecommunication, and clean room facilities. (Shipped empty.)

Carbon Dioxide (CD)

These units contain liquid carbon dioxide under pressure. It is discharged as a white cloud of "snow," which effectively smothers a fire. Carbon dioxide is a clean, non-conductor of electricity for **Class B** and **C** fires. Absolutely rust-free aluminum cylinders.

Halotron I (HT)

Halotron I is an EPA-approved clean agent which discharges as a rapidly evaporating liquid, leaving no residue. It effectively extinguishes **Class A, B** and **C** fires and is intended for use in areas formerly protected by Halon 1211.

Class C Fires

Fire in live electrical equipment (motors, switches, appliances, etc.) where a non-conductive extinguishing agent is required.

Class K Fires

Cooking media.

**MP, DC, HT, WC, PW, WM
and CD Series Fire Extinguishers**

EXCAB^{INC}

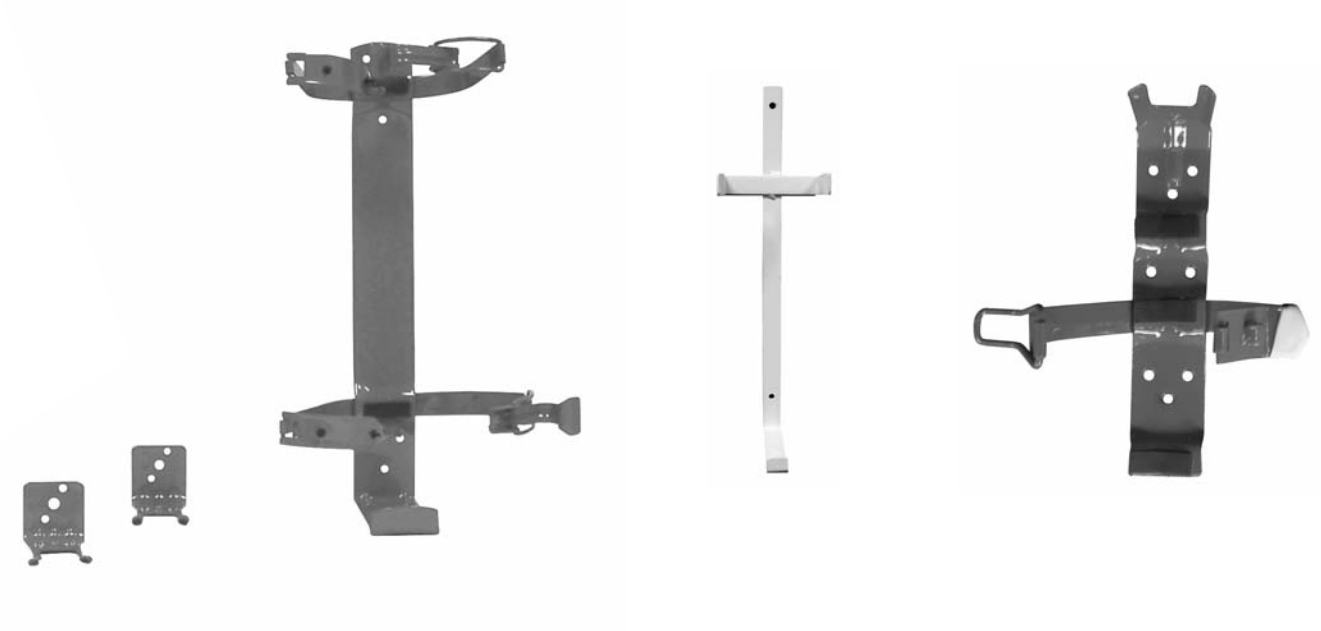


MP, DC and HT Series

| Model Number | Nominal Capacity | Shipping Weight | Cylinder Diameter | Overall Height | Overall Width | UL Rating | Standard Bracket* | Optional Bracket* |
|---------------------|-------------------------|------------------------|--------------------------|-----------------------|----------------------|------------------|--------------------------|--------------------------|
| MP2½ | 2½ lbs. | 5½ lbs. | 3 in. | 15½ in. | 5¾ in. | 1A-10B:C | 817 | 860 |
| MP5 | 5 lbs. | 9¼ lbs. | 4¼ in. | 15¼ in. | 7¼ in. | 2A-10B:C | 1521 | B-2, 818, 821, 860 |
| MP5-A | 5 lbs. | 9¼ lbs. | 4¼ in. | 15¼ in. | 7¼ in. | 3A-40B:C | 1521 | 821, 860 |
| MP6 | 6 lbs. | 12¾ lbs. | 5 in. | 16 in. | 7¾ in. | 3A-40B:C | 5525 | 808, 862 |
| MP10 | 10 lbs. | 18 lbs. | 5 in. | 20 in. | 7¾ in. | 4A-80B:C | 5525 | B-2, 846, 862 |
| MP20 | 20 lbs. | 38 lbs. | 7 in. | 23¼ in. | 10¼ in. | 20A-120B:C | 1007 | 864 |
| DC2½ | 2½ lbs. | 5½ lbs. | 3 in. | 15½ in. | 5¾ in. | 10B:C | 817 | 860 |
| DC5 | 5½ lbs. | 9½ lbs. | 4¼ in. | 15¼ in. | 7¼ in. | 40B:C | 1521 | B-2, 818, 821, 860 |
| DC6 | 6 lbs. | 13 lbs. | 5 in. | 16¼ in. | 8½ in. | 40B:C | 1007 | 808, 862 |
| DC10 | 10 lbs. | 18 lbs. | 5 in. | 20 in. | 7¾ in. | 60B:C | 5525 | B-2, 846, 862 |
| DC20 | 20 lbs. | 38 lbs. | 7 in. | 23¼ in. | 10¼ in. | 120B:C | 1007 | 864 |
| HT2½ | 2½ lbs. | 5¼ lbs. | 3 in. | 14¾ in. | 5½ in. | 2B:C | 817 | 860 |
| HT5 | 5 lbs. | 9½ lbs. | 4¼ in. | 15¼ in. | 5¾ in. | 5B:C | 818 | 860 |
| HT11 | 11 lbs. | 22½ lbs. | 6¼ in. | 20½ in. | 9¼ in. | 1A:10B:C | 14427 | 862 |
| HT15½ | 15½ lbs. | 27½ lbs. | 6¼ in. | 20½ in. | 9¼ in. | 2A:10B:C | 14427 | 862 |
| WC-6L | 6 liters | 17½ lbs. | 7 in. | 25 in. | 9 in. | 2A:K | 1007 | N/A |
| PW2½ | 2½ gal. | 7½ lbs. | 7 in. | 24½ in. | 9 in. | 2A | 1007 | B1, 864 |
| WM2½ | 2½ gal. | 9 lbs. | 7 in. | 28 in. | 14 in. | 2A:C | 14319 | 864 |
| CD5 | 5 gal. | 14 lbs. | 5¼ in. | 17¾ in. | 8¼ in. | 5-B:C | 546 | 862 |
| CD10 | 10 lbs. | 28¼ lbs. | 7 in. | 24 in. | 12 in. | 10-B:C | 575 | 864 |
| CD15 | 15 lbs. | 37¾ lbs. | 7 in. | 30 in. | 12 in. | 10-B:C | 575 | 864 |
| CD20 | 20 lbs. | 50¾ lbs. | 8 in. | 30 in. | 13 in. | 10-B:C | 577 | 864 |

Standard and Optional Brackets

Note: Standard brackets are included with all extinguishers at no additional cost. If specified, optional brackets are only available at additional cost. All the standard and optional brackets are designed to accommodate Larsen's extinguishers. While most comparably sized extinguishers usually will function with the brackets at the left, Larsen's cannot assume responsibility for variations in cylinder dimensions among various extinguisher suppliers.



Fire Blanket Cabinets

Larsen's fire blanket cabinets are all equipped with a 62" x 80" fire blanket fabricated of a rugged blend of reprocessed wool. These fire retardant blankets meet federal specification #CS-191-53.

FB 68-6 Series:

Fire blanket is attached to a roller and can be rapidly released by placing one's arm through the arm loop and turning into the blanket. This surface-mounted unit is constructed of cold-rolled steel with a standard finish of red baked acrylic enamel, and as an option, the cabinet can be fabricated entirely of stainless steel (model SS FB 68-6).

FB 1016 Series:

Drop Type, surface mounted cabinet, constructed of cold-rolled steel with a red baked acrylic enamel finish. The folded blanket is always visible through the viewing knockout on the front and is quickly available by releasing the hinged bottom of the cabinet.

| Model Number | Trim Style and Projection | Inside Box Dimensions H x W x D |
|--------------|---------------------------|--|
| FB68-6 | Surface Mtd. | 68 x 6 ¹ / ₄ x 4 |
| FB1016 | Surface Mtd. | 10 x 16 x 8 |





STI STOPPER II

Stopper II helps prevent false fire alarms without restricting legitimate alarms. It consists of a clear, tamperproof polycarbonate shield and frame that fits over manual pull stations. When lifted to gain access to the actual alarm, it sounds a piercing warning horn. Immediate attention is called to the area and a prankster will either run or be caught.

Stopper II is ideal for colleges, schools, hospitals, nursing homes, training centers, correctional facilities, hotels/motels, stores, libraries, public buildings of almost every kind where the threat of false fire alarms is great. Stronger than steel pound for pound, its almost unbreakable polycarbonate construction makes it suitable for abusive environments such as warehouses, schools, correctional facilities and all public buildings. Stopper II fits virtually all manual pull stations, accommodating units up to 5¹/₂" wide x 7" high x 2³/₄" deep. Conduit spacers are available for deeper units.

STI MINI STOPPER II

This smaller cousin of the famed Stopper II is designed to protect smaller size manual pull stations or push buttons against vandalism and false fire alarms. As the original Stopper II, it consists of a tamperproof, clear polycarbonate shield and frame that fits easily over units up to 4¹/₈" wide x 4³/₄" high x 1¹/₂" deep (5¹/₂" high without horn). When lifted to gain access to the actual alarm, it sounds a piercing 120 dB warning horn. Immediate attention is drawn to the pull station or push button and a prankster will either run or be caught. Legitimate alarms can still be pulled. Available with or without warning horn.

STI Mini Theft Stopper

Here is an ingenious and inexpensive way to protect fire extinguishers and a wide range of other fire fighting equipment from theft. The Mini Theft Stopper is compact, highly effective, extremely versatile and does not interfere with fire fighting in any way. Its simplicity of design contributes greatly to its high degree of reliability.

For Cabinet Mounted Equipment, etc.

With its reed switch and magnet assembly, Mini Theft Stopper has a variety of applications. It can be used on a fire extinguisher cabinet door or on cabinets housing fire hoses, sprinkler shutoff valves and other fire protection equipment. In a similar way, it can be used for gun cabinets, medicine cabinets or any door you wish to protect.

For Freestanding Equipment, etc.

Mini Theft Stopper comes with a special clip that can be used to protect a fire extinguisher standing alone or any other freestanding equipment you wish to protect, such as office gear or computer modules. This model can also be mounted on a fire extinguisher pull pin. The self-contained warning horn sounds when this pin has been pulled.

STI Fire Extinguisher Theft Stopper

Fed up with replacing or recharging misused fire extinguishers? Here is an effective way to stop such theft and vandalism. This Stopper uses a time-tested, steel cable operated switch mechanism. It allows the extinguisher to be used for fire fighting at any time, but sounds a piercing alarm when the extinguisher is moved from its normal position. Permitted by fire marshals, it's easy to install and fits all fire extinguisher models. Its highly visible "stop sign" design is a deterrent itself.

STI Exit Stopper

Here is a highly effective way to alert you to any unauthorized exits or entries through any emergency exit door. By doing so, it can serve as an inexpensive security device and help stop theft as well. If the protected door is opened, the electronic Exit Stopper emits an ear piercing alarm for 30 seconds, three minutes or continuously (as preset by the user). A key operated override will silence the alarm and allow authorized exits. Exit Stopper is fitted with a long life alkaline battery. It is available in red or green for almost any type of door, mounting or installation, including remote placement of the alarm.

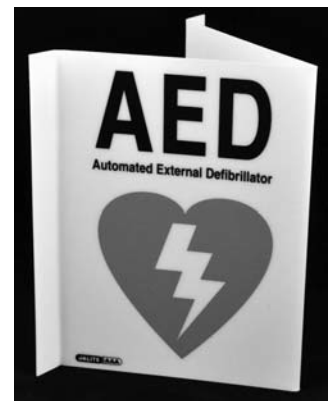
Photoluminescent Fire Safety Signs

Jalite® has a full range of fire safety signs, including the traditional high located arrow used to pinpoint the extinguisher in areas with low obstacles such as cubicle walls, racking systems or shelves.

The Jalite® most popular extinguisher sign uses the International Standards Organization (ISO) & NFPA 170 symbol for fire extinguishers, which is recognized internationally. Available in self adhesive vinyl, flag mounted or panoramic, you can be sure your equipment will be seen and understood by everyone.

In locations where your extinguishers are subject to potential vandalism or theft, such as schools, universities and municipal buildings, our MISSING EXTINGUISHER SIGNS are an economical deterrant. They act as a visual alarm. By promptly alerting your staff of absent equipment a MISSING EXTINGUISHER SIGN reduces the time your facility goes unprotected.

The Jalite® PANORAMIC AED SIGN is an economical way to identify the location of this time-sensitive, life-saving apparatus in any emergency. Lights on or off, using a Jalite AED SIGN ensures that you will find the automated external defibrillator when you need it.



Access Panels

Flush Non-Rated Access Panels

Larsen's flush non-rated access panels are available with three frame types for a variety of applications. The 1" wide flange frame (L-MPG) can be used in any application. For concealment, Larsen's offers drywall corner bead (L-DWC) or plaster bead (L-PSW) frames. These will allow finish material to be applied, leaving only the panel exposed.

| L-MPG | L-DWC | L-PSW | Part | Description |
|-------|-------|-------|--------|--|
| • | • | • | Door | 14 ga. cold rolled steel |
| • | | | Frame | 16 ga. with 1" flange |
| | • | | Frame | 16 ga. with 22 ga. galvanized drywall corner bead |
| | | • | Frame | 16 ga. with 22 ga. galvanized plaster casing bead |
| • | | | Hinge | Concealed spring pin hinge (opens to 175°) |
| | • | • | Hinge | Concealed continuous piano hinge |
| • | • | • | Latch | Screwdriver cam latch (key operated cylinder lock is optional) |
| • | • | • | Finish | Phosphate dipped and prime coated |

| Width x Height | | Latches |
|----------------|----------|---------|
| mm | inches | |
| 152 x 152 | 06 x 06 | 1 |
| 203 x 203 | 08 x 08 | 1 |
| 254 x 254 | 10 x 10 | 1 |
| 305 x 305 | 12 x 12 | 1 |
| 305 x 457 | 12 x 18 | 2 |
| 305 x 610 | 12 x 24 | 2 |
| 356 x 356 | 14 x 14 | 1 |
| 406 x 406 | 16 x 16 | 1 |
| 406 x 508 | 16 x 20 | 1 |
| 457 x 457 | 18 x 18 | 2 |
| 457 x 610 | 18 x 24 | 2 |
| 559 x 559 | 22 x 22 | 4 |
| 559 x 762 | 22 x 30 | 5 |
| 610 x 610 | 24 x 24 | 4 |
| 610 x 762 | 24 x 30 | 5 |
| 610 x 914 | 24 x 36* | 5 |
| 610 x 1219 | 24 x 48* | 6 |
| 762 x 762 | 30 x 30* | 5 |
| 813 x 813 | 32 x 32* | 5 |



L-MPG
Non-rated, multi-purpose access panels for all applications



L-DWC
Non-rated, flush access panel for drywall applications



L-PSW
Non-rated, flush access panel for plaster applications

All access panels are hinged on the second dimension (height).

* Flush, non-removable continuous piano hinge is standard on all stainless steel panels and those exceeding 36" hinge dimension (L-MPG & L-MPSS).

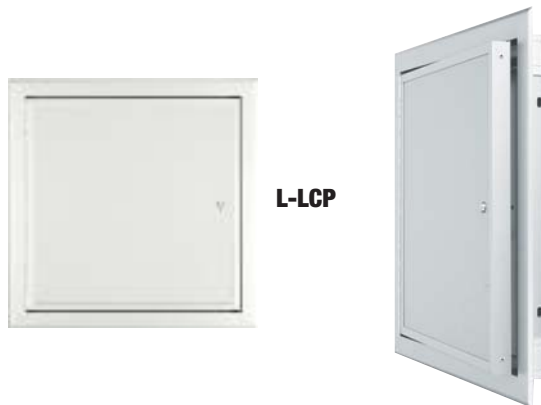
Access Panels

Lightweight Access Panels

Larsen's lightweight access panels (L-LCP) offer an innovative solution to larger ceiling and wall openings without compromising interior design and safety. The prefinished embossed door panels provide an architecturally pleasing appearance.

| L-LCP | Part | Description |
|-------|------------|--|
| • | Door | 26 ga. prefinished embossed galvanized steel |
| • | Door | Optional .050 aluminum panel insert |
| • | Frame | .045 6063-T5 extruded aluminum |
| • | Flange | Rolled 1.3125" wide |
| • | Hinge | Aluminum continuous piano hinge |
| • | Latch | Screwdriver cam latch |
| • | Latch | Optional cam lock |
| • | Finish | White embossed steel |
| • | Insulation | .75" polystyrene with R3.8 at 75°F |

| Width x Height | | Latches |
|----------------|----------|---------|
| mm | inches | |
| 559 x 762 | 22 x 30 | 1 |
| 559 x 914 | 22 x 36 | 2 |
| 610 x 610 | 24 x 24 | 1 |
| 610 x 914 | 24 x 36 | 2 |
| 610 x 1219 | 24 x 48 | 2 |
| 762 x 762 | 30 x 30 | 2 |
| 762 x 914 | 30 x 36 | 2 |
| 914 x 914 | 36 x 36 | 2 |
| 914 x 1219 | 36 x 48 | 2 |
| 1219 x 1219 | 48 x 48* | 4 |
| 1524 x 1219 | 60 x 48* | 4 |
| 1828 x 1219 | 72 x 48* | 4 |



L-LCP

All access panels are hinged on the second dimension (height).

* Double door construction.

Access Panels

Flush Fire-Rated Access Panels

Larsen's has a fire-rated access panel for any wall or ceiling application. The 1" wide flange frame (L-FRAP) is standard. Stainless steel units are available in 304 with #4 finish (L-FRAPSS). For concealment, Larsen's offers drywall corner bead or plaster bead frames. These will allow finish material to be applied, leaving only the panel exposed.

| L-FRAP | L-FRAPSS | Part | Description |
|--------|----------|------------|--------------------------------------|
| • | | Door | 20 ga. cold rolled steel |
| | • | Door | 304 Stainless Steel |
| • | • | Frame | 16 ga. with 1" flange |
| • | • | Hinge | Concealed continuous piano hinge |
| • | • | Latch | Knurled knob/key operated latch bolt |
| • | | Finish | Phosphate dipped and prime coated |
| | • | Finish | #4 |
| • | • | Insulation | 2" fire-rated mineral fiber |

| Width x Height | | Latches |
|----------------|----------|---------|
| mm | inches | |
| 203 x 203 | 08 x 08 | 1 |
| 254 x 254 | 10 x 10 | 1 |
| 305 x 305 | 12 x 12 | 1 |
| 305 x 610 | 12 x 24 | 1 |
| 356 x 356 | 14 x 14 | 1 |
| 406 x 406 | 16 x 16 | 1 |
| 457 x 457 | 18 x 18 | 1 |
| 508 x 762 | 20 x 30 | 1 |
| 559 x 559 | 22 x 22 | 1 |
| 559 x 762 | 22 x 30 | 1 |
| 559 x 914 | 22 x 36 | 2 |
| 610 x 610 | 24 x 24 | 1 |
| 610 x 762 | 24 x 30 | 1 |
| 610 x 914 | 24 x 36 | 2 |
| 610 x 1219 | 24 x 48* | 2 |
| 762 x 762 | 30 x 30* | 1 |
| 813 x 813 | 32 x 32* | 1 |
| 914 x 914 | 36 x 36* | 2 |



L-FRAP
Fire-rated flush access panel for all applications



Standard knurled knob/key operated latch bolt

All access panels are hinged on the second dimension (height).

* Exceeds maximum size to carry a Warnock-Hersey label in ceilings.

Access Panels

Exterior Access Panels

Larsen's exterior access panels (L-XT) are designed to provide efficient and quick access in exterior applications. The insulated and gasketed panel design keeps the elements out of the building - even in the harshest environments. Dual acting handles allow convenient access from inside or outside the building.

| L-XT | Part | Description |
|------|------------|--|
| • | Door | 20 ga. cold rolled steel |
| • | Door | Optional .060" aluminum |
| • | Frame | 6063-T5 extruded aluminum |
| • | Flange | .080" 6063-T5 extruded aluminum |
| • | Hinge | Stainless steel continuous piano hinge |
| • | Latch | Two dual-acting handles |
| • | Latch | Optional lockable handle |
| • | Finish | Paint grip |
| • | Insulation | 2" fiberglass |

| Width x Height | | Latches |
|----------------|---------|---------|
| mm | inches | |
| 305 x 305 | 12 x 12 | 1 |
| 457 x 457 | 18 x 18 | 1 |
| 559 x 762 | 22 x 30 | 2 |
| 559 x 914 | 22 x 36 | 2 |
| 610 x 610 | 24 x 24 | 1 |
| 610 x 762 | 24 x 30 | 2 |
| 610 x 914 | 24 x 36 | 2 |
| 610 x 1219 | 24 x 48 | 2 |
| 610 x 1524 | 24 x 60 | 2 |
| 914 x 914 | 36 x 36 | 2 |
| 914 x 1219 | 36 x 48 | 2 |
| 914 x 1524 | 36 x 60 | 2 |
| 1219 x 1219 | 48 x 48 | 2 |



Access Panels

Recessed Non-Rated Access Panels

Larsen's recessed access panels utilize a .625" depth pan-type door. This allows in-fill of material to match the wall or ceiling surface for concealed finish. The frame is manufactured with drywall bead (L-DWR) or plaster self-furring lath (L-APC) or without bead/lath for acousitcal tile (L-CPA) applications.

| L-CPA | L-DWR | L-APC | Part | Description |
|-------|-------|-------|-----------|--|
| • | • | • | Door | 16 ga. cold rolled steel |
| • | | | Frame | 16 ga. (No flange required - Not recommended for grid-type ceilings) |
| | • | | Frame | 16 ga. with 22 ga. galvanized drywall corner bead |
| | | • | Frame | 16 ga. with 22 ga. galvanized plaster casing bead |
| • | • | • | Hinge | Concealed pivoting rod hinge |
| • | • | • | Latch | Screwdriver cam latch |
| • | • | • | Finish | Phosphate dipped and prime coated |
| • | • | • | Pan Depth | .625" |

| Width x Height | | Latches |
|----------------|---------|---------|
| mm | inches | |
| 203 x 203 | 08 x 08 | 1 |
| 305 x 305 | 12 x 12 | 1 |
| 406 x 406 | 16 x 16 | 1 |
| 457 x 457 | 18 x 18 | 1 |
| 559 x 762 | 22 x 30 | 2 |
| 610 x 610 | 24 x 24 | 2 |
| 610 x 914 | 24 x 36 | 3 |



All access panels are hinged on the second dimension (height).

Access Panels

Security Panels

Larsen's security access panels are manufactured for high security (L-DPH), medium security (L-DPM) and fire-rated (L-DPFB) security applications. For concealment, Larsen's offers the L-DPM and L-DPFB with drywall corner bead or plaster bead frames.

| L-DPH | L-DPM | L-DPFB | Part | Description | Width x Height | | Latches |
|-------|-------|--------|------------|---|----------------|----------|---------|
| | | | | | mm | inches | |
| • | | | Door | 10 ga. cold rolled steel | | | |
| | • | | Door | 12 ga. cold rolled steel | 152 x 152 | 06 x 06* | 1 |
| | | • | Door | 14 ga. cold rolled steel | 203 x 203 | 08 x 08* | 1 |
| • | | | Frame | 2" x 2" x 3/16" steel angle | 254 x 254 | 10 x 10* | 1 |
| | • | | Frame | 12 ga. cold rolled steel with 1" flange | 305 x 305 | 12 x 12 | 1 |
| | | • | Frame | 16 ga. cold rolled steel with 1" flange | 305 x 457 | 12 x 18* | 2 |
| • | | | Hinge | Surface-mounted, heavy-duty butt hinges | 305 x 610 | 12 x 24* | 2 |
| | • | | Hinge | Concealed continuous piano hinge | 356 x 356 | 14 x 14* | 1 |
| | | • | Hinge | Flush continuous piano hinge | 406 x 406 | 16 x 16 | 1 |
| • | | | Latch | Security screws (other options available) | 406 x 508 | 16 x 20* | 1 |
| | • | | Latch | Pinned allen head cam latch | 457 x 457 | 18 x 18 | 2 |
| | | • | Latch | Mortise preparation for 1.125" mortise cylinder | 457 x 610 | 18 x 24* | 2 |
| • | • | • | Finish | Phosphate dipped and prime coated | 559 x 559 | 22 x 22* | 4 |
| | | • | Insulation | 2" Fire-rated mineral fiber | 559 x 762 | 22 x 30 | 5 |
| | | | | | 610 x 610 | 24 x 24 | 4 |
| | | | | | 610 x 762 | 24 x 30* | 5 |
| | | | | | 610 x 914 | 24 x 36 | 5 |
| | | | | | 610 x 1016 | 24 x 40 | 4 |
| | | | | | 610 x 1219 | 24 x 48 | 6 |
| | | | | | 762 x 762 | 30 x 30* | 5 |
| | | | | | 813 x 813 | 32 x 32* | 5 |
| | | | | | 914 x 914 | 36 x 36 | 5 |



L-DPH
High security access panel for all applications



L-DPM
Medium security access panel for all applications



L-DPFB
Security access panel for fire rated wall applications

All access panels are hinged on the second dimension (height).

* Fire-rated (L-DPFB) only

Economy Cabinets

Features:

- All welded metal construction
- Breakable acrylic pane
- Glossy white epoxy painted finish for corrosion protection
- Keyed tumbler locks
- Easy glass removal for extinguisher service
- Cabinet includes cylinder lock and key, scored plexi-glass front panel and decal

| PART NUMBER | DESCRIPTION | H x W x D (in.) | H x W x D (cm.) |
|-------------|--|--------------------|--------------------|
| 551936 | FXC-05T 2.5-6 lb Extinguisher cabinet with glass | 19.1 x 7.1 x 6.9 | 48.6 x 18.1 x 17.6 |
| 551937 | FXC-10 10 lb Extinguisher cabinet with glass | 26.1 x 10.1 x 6.69 | 66.4 x 25.7 x 17.6 |
| 551938 | FXC-20 20 lb Extinguisher cabinet with glass | 31.1 x 12.1 x 8.4 | 79.1 x 30.8 x 21.4 |
| 553180 | FXC-05T Replacement pane for 2.5-6 lb | 18.1 x 6.8 | 46.1 x 17.3 |
| 553181 | FXC-10 Replacement pane for 10 lb | 25.1 x 9.9 | 63.8 x 25.1 |
| 553182 | FXC-20 Replacement pane for 20 lb | 30.1 x 11.9 | 76.5 x 30.2 |
| 552039 | Replacement pane for OLD STYLE cabinet 2.5-6 lb | 18.3 x 7.4 | 46.4 x 18.7 |
| 552040 | Replacement pane for OLD STYLE cabinet 10 lb | 21.8 x 10.3 | 55.2 x 26 |
| 552041 | Replacement pane for OLD STYLE cabinet 20 lb | 27.3 x 13.8 | 69.2 x 34.9 |
| 552290 | Replacement pane for OLD STYLE 5 SHORT cabinet | 15 in x 7.8 | 38.1 x 19.7 |

Note:
